

IP-COM

Quick Installation Guide

16/24-Port Gigabit Unmanaged Ethernet Switch
G1016G/G1024G

Package contents

- Switch x 1
- Footpad x 4
- L-shaped bracket x 2
- SCREW (length: 8 mm, head diameter: 6 mm, head height: 1.8 mm, thread diameter: 3 mm) x 8
- Power cord x 1
- Quick installation guide

G1016G is used for illustrations here unless otherwise specified. The actual product prevails.

LED indicators

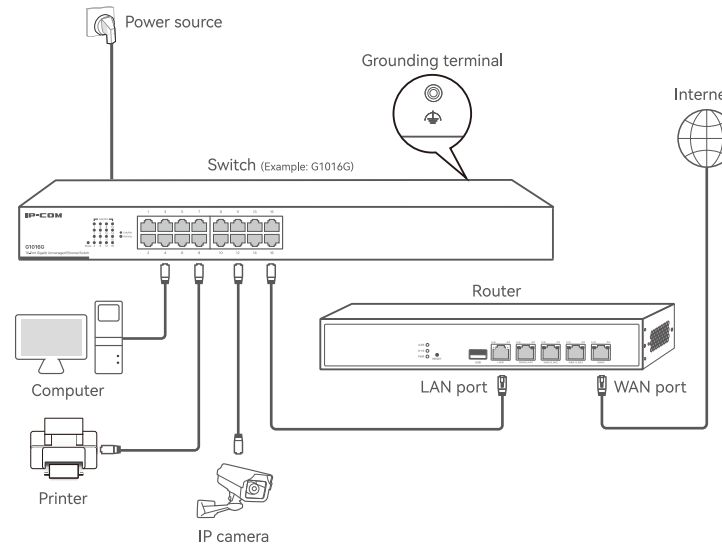
LED indicator	Status	Description
Power	Solid on	Powered on
	Off	Powered off
Link/Act	Solid on	Connected but not active
	Blinking	Data transmitting
	Off	Not connected

Typical network topology



Tips

The switch supports auto MDI/MDIX. You can use either a straight-through cable or a crossover cable to connect the switch to Ethernet devices.

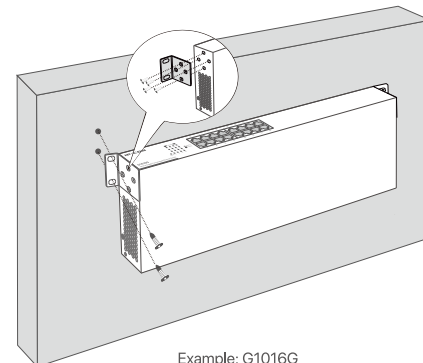


Wall mounting



- Note
- The switch can only be installed on non-flammable walls, such as a concrete wall.
 - Do **NOT** install the switch with air vents facing downward; otherwise, there will be potential safety hazards.

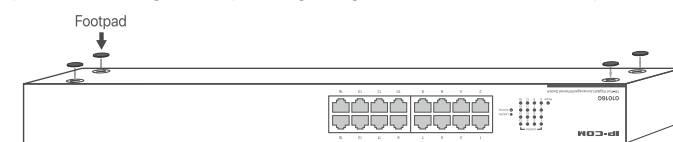
1. Fix the two L-shaped brackets to both sides of the switch with the included screws.
2. Place the switch horizontally onto the wall with its RJ45 ports facing upward, and then mark the screw holes on the wall with a marker.
3. Drill holes in the marked positions, and then hammer the expansion bolts (self-prepared, specifications see **Preparations**) into the holes.
4. Insert the screws (self-prepared, specifications see **Preparations**) through the holes of the two L-shaped brackets, and secure the screws into the expansion bolts with a screwdriver. Ensure that the switch is installed firmly with its RJ45 ports facing upward.



Example: G1016G

Desktop mounting

Paste the four footpads to the four recesses on the bottom of the switch. Then horizontally place the switch right-side up on a big enough, clean, stable and flat desktop.



Example: G1016G

Get support and services

For technical specifications, user guides and more information, please visit the product page or service page on www.ip-com.com.cn. Multiple languages are available. You can see the product name and model on the product label.



<https://www.ip-com.com.cn/en/service/default.html>

FAQ

Q1: The Power LED indicator does not light up. What should I do?

- Ensure that the power cord is connected to the switch and the power jack properly.
- Ensure that the switch is powered on.
- Ensure that the input voltage matches the value required by the switch.

Q2: The Link/Act LED indicator of the switch is off. What should I do?

- Ensure that the Ethernet cable between the switch and the attached device is connected properly.
- Ensure that the Ethernet cable is not damaged, and the length of the Ethernet cable within 100 meters.
- Ensure that the switch is powered on.
- Ensure the connected device is powered on and working properly.



FCC Statement

This equipment has been tested and found to comply with the limits for a Class A digital device, pursuant to Part 15 of the FCC Rules. These limits are designed to provide reasonable protection against harmful interference when the equipment is operated in a commercial environment. This equipment generates, uses, and can radiate radio frequency energy and, if not installed and used in accordance with the instruction manual, may cause harmful interference to radio communications. Operation of this equipment in a residential area is likely to cause harmful interference in which case the user will be required to correct the interference at his own expense.

Operation is subject to the following two conditions: (1) this device may not cause harmful interference, and (2) this device must accept any interference received, including interference that may cause undesired operation.

Caution!

Any changes or modifications not expressly approved by the party responsible for compliance could void the user's authority to operate the equipment.

NOTE: (1) The manufacturer is not responsible for any radio or TV interference caused by unauthorized modifications to this equipment. (2) To avoid unnecessary radiation interference, it is recommended to use a shielded RJ45 cable.



CE Mark Warning

This is a Class A product. In a domestic environment, this product may cause radio interference, in which case the user may be required to take adequate measures.

NOTE: (1) The manufacturer is not responsible for any radio or TV interference caused by unauthorized modifications to this equipment. (2) To avoid unnecessary radiation interference, it is recommended to use a shielded RJ45 cable.

Declaration of Conformity

Hereby, SHENZHEN IP-COM NETWORKS CO., LTD. declares that the device is in compliance with directives 2014/35/EU and 2014/30/EU.

The full text of the EU declaration of conformity is available at the following internet address: <http://ip-com.com.cn/en/ce.html>

Safety precautions

Before performing an operation, read the operation instructions and precautions to be taken, and follow them to prevent accidents. The warning and danger items in other documents do not cover all the safety precautions that must be followed. They are only supplementary information. The installation and maintenance personnel need to understand the basic safety precautions to be taken.

- The device is for indoor usage only.
- For desktop mounting, the device must be horizontally mounted for safe use.
- For wall or rack mounting, the device is only suitable for mounting at heights ≤ 2 m.
- Operating environment: Temperature: 0°C - 45°C; Humidity: (10% - 90%) RH, non-condensing; Storage environment: Temperature: -40°C - 70°C; Humidity: (5% - 90%) RH, non-condensing.
- Clean only with dry cloth.
- Do not block any ventilation openings.
- Do not install near any heat sources such as radiators, heat registers, stoves or other apparatus that produce heat.
- Do not damage the ground conductor or operate the device in the absence of well installed ground conductor. Conduct the appropriate electrical inspection. Refer to the **Lightning Protection Guide** at the official website for instructions.
- Protect the power cord from being walked on or pinched particularly at the plugs, convenience receptacles and at the point where they exit from the device.
- Only use attachments/accessories specified by the manufacturer.
- Unplug this device when unused for long periods of time.
- The mains plug is used as the disconnect device and shall remain readily operable.
- Warning: To reduce the risk of fire or electric shock, do not expose this apparatus to rain or moisture. The apparatus shall not be exposed to dripping or splashing.
- Warning: To reduce the risk of electric shock, do not remove cover as there no user-serviceable parts inside.
- Refer all servicing to qualified service personnel. Servicing is required when the apparatus has been damaged in any way, such as power-supply cord or plug is damaged, liquid has been spilled or objects have fallen into the apparatus, the apparatus has been exposed to rain or moisture, does not operate normally, or has been dropped.

For latest safety precautions, see **Safety and Regulatory Information** on www.ip-com.com.cn



RECYCLING

This product bears the selective sorting symbol for Waste electrical and electronic equipment (WEEE). This means that this product must be handled pursuant to European directive 2012/19/EU in order to be recycled or dismantled to minimize its impact on the environment. User has the choice to give his product to a competent recycling organization or to the retailer when he buys a new electrical or electronic equipment.



Technical Support

Shenzhen IP-COM Networks Co., Ltd.
Address: Room 101, Unit A, First Floor, Tower E3, No.1001, Zhongshanyuan Road, Nanshan District, Shenzhen, China. 518052
Email: info@ip-com.com.cn
Website: www.ip-com.com.cn

Copyright

©2023 IP-COM Networks Co., Ltd. All rights reserved.

This documentation (including pictures, images, and product specifications, etc.) is for reference only. To improve internal design, operational function, and/or reliability, IP-COM reserves the right to make changes to the products described in this document without obligation to notify any person or organization of such revisions or changes.

V1.0 Keep for future reference.

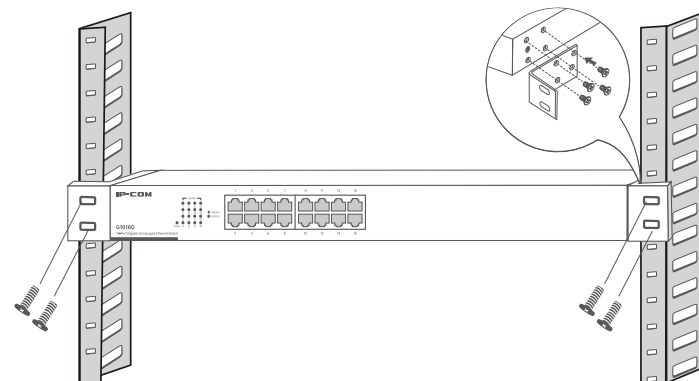
Install the device

Preparations

- Rack mounting: ESD bracelet or gloves, screwdriver, 4 screws (suitable for securing the switch to the rack)
- Desktop mounting: ESD bracelet or gloves
- Wall mounting: ESD bracelet or gloves, screwdriver, spirit level, marker, hammer drill, rubber hammer, ladder, 4 screws (self-prepared, length: 25 mm, head diameter: 10 mm, head height: 3 mm, thread diameter: 5 mm), 4 expansion bolts (self-prepared, length: 40 mm)

Rack mounting (to a standard 19-inch rack)

1. Ensure that the rack is stable, level and properly grounded.
2. Fix the two L-shaped brackets to both sides of the switch with the included screws.
3. Choose a proper height and fix the L-shaped brackets to the rack with screws (self-prepared). Ensure that the switch is stable on the rack.



Example: G1016G